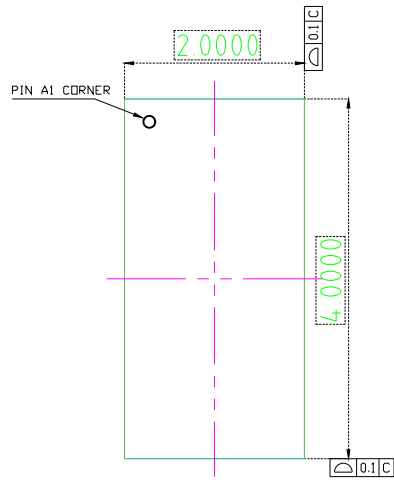
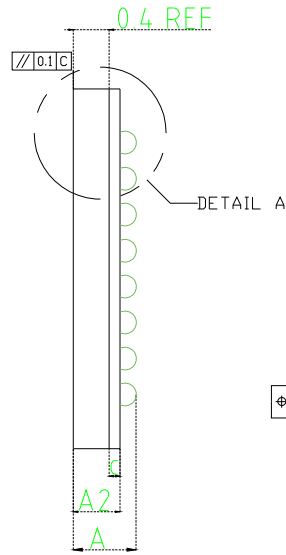


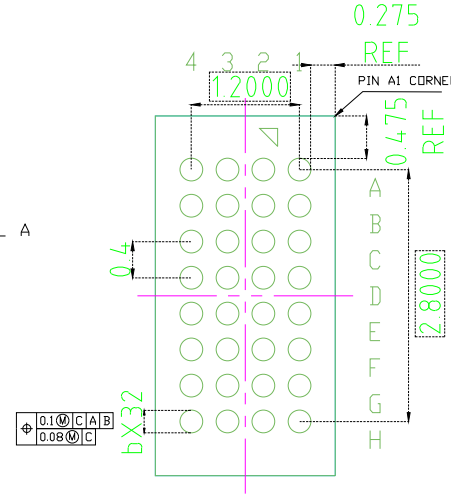
TOP VIEW  
正视图



SIDE VIEW  
侧视图



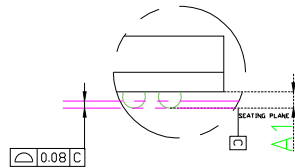
BOTTOM VIEW  
背视图



机械尺寸/mm			
字符 SYMBOL	最小值 MIN	典型值 NOMINAL	最大值 MAX
A	0.620	0.70	0.78
A1	0.13	0.18	0.23
A2	0.47	0.52	0.57
c	0.09	0.12	0.15
b	0.20	0.25	0.30
NUMBER OF BALL 32			

Notes:  
 1. ALL DIMENSIONS ARE IN MILLIMETERS. ANGLES ARE IN DEGREES.  
 2. DIMENSIONS AND TOLERANCE CONFORM TO ASME Y14.5-2009.  
 3. UNLESS OTHERWISE SPECIFIED:  
 DIMENSIONS ARE IN MILLIMETERS.  
 TOLERANCES ARE:  
 DECIMALS ANGLES  
 X.X ±0.1 ±1°  
 X.XX ±0.05  
 X.XXX ±0.05

DETAIL A



<b>池州华宇电子科技股份有限公司</b> <b>CHI ZHOU HISEMI ELECTRONICS TECHNOLOGY CO.,LTD</b>		制图: Draw	NINGLIN 2024. 6. 15
图号 Drawing NO.	HY-POD-FCCSP0001		制图核查: Drawing review
Title 产品外形图	PACKAGE OUTLINE DIMENSIONS FCCSP32B (2.0×4.0×0.7-PO. 40)		审核: Checker
幅图 size	页数 page	单位 unit	比例 scale
A4	1	mm	1:1
			视图 view
			核准: Approved